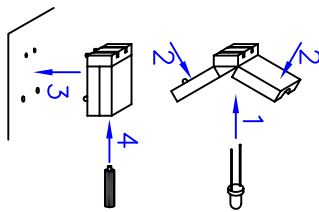


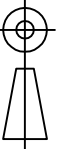
**LIGHT PIPE**

**PREPARATION/INSTALLATION:**



**NOTES:**

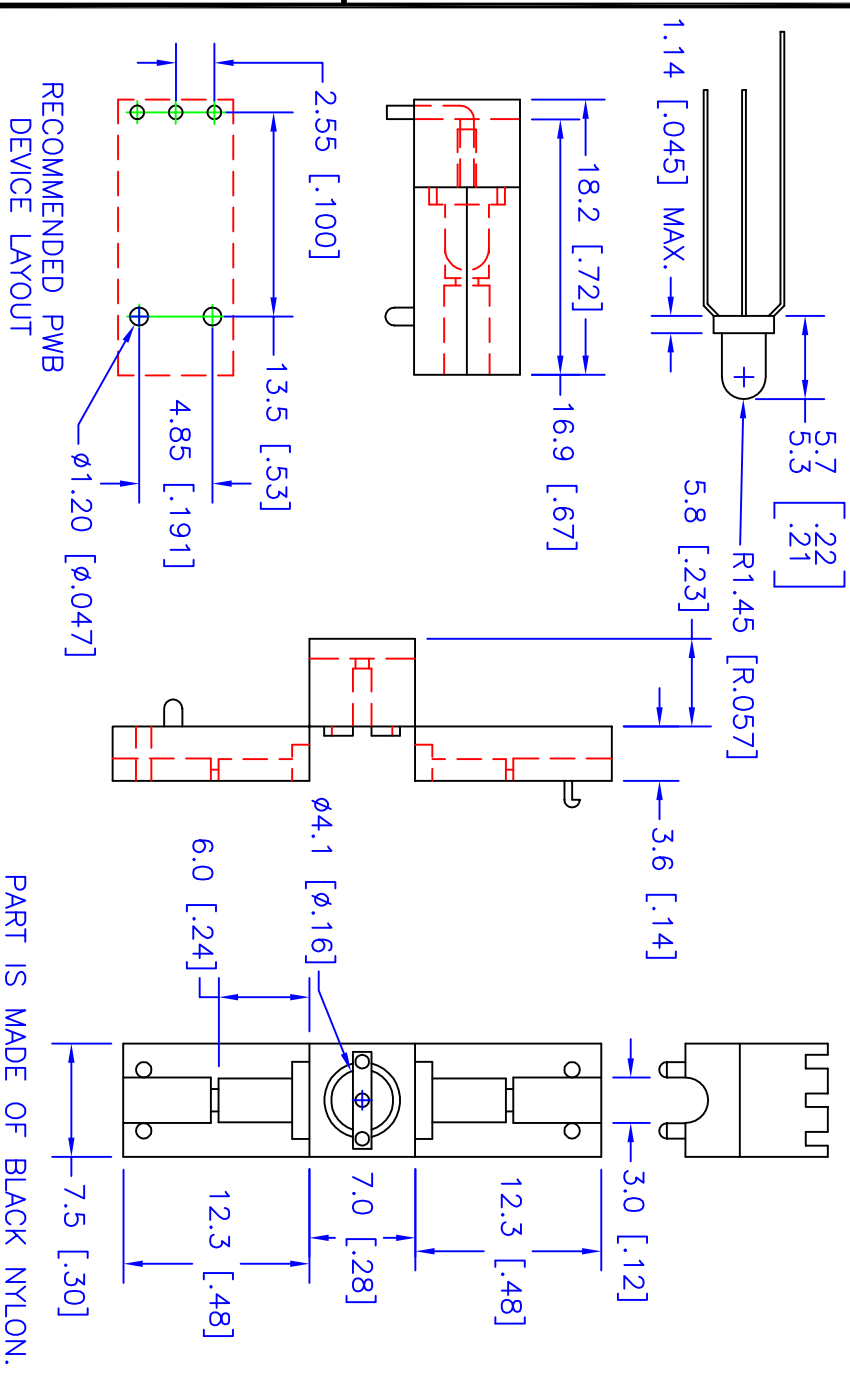
1. ROHS COMPLIANT
2. UL 94V-2 FLAMMABILITY RATING
3. -40°C TO 85°C OPERATING TEMPERATURE
4. SUITABLE FOR LIGHT PIPE WITH Ø3.0mm JACKET AND OPTICAL CORE NO GREATER THAN Ø1.5mm
5. DO NOT WAVE SOLDER WITH THIS DEVICE
6. FOR BEST RESULTS USE ONLY NARROW VIEWING ANGLE NON-DIFFUSED LEDS WITH OUTPUT POWER GREATER THAN 100mcd
7. NOT RECOMMENDED FOR DATA COMMUNICATIONS



**METRIC**

REV		DESCRIPTION	ECO	DATE	DWN	APVD
C		REVISED STRIP LENGTH FROM 1.0±.05	0034	09/17/09	BB	KS

**REVISIONS**



PART IS MADE OF BLACK NYLON.

UNLESS OTHERWISE SPECIFIED  
DIMENSIONS MILLIMETERS [IN.]

PRODUCT LIGHT PIPE  
MATERIAL NYLON 66

**INDUSTRIAL FIBER OPTICS**  
TEMPE, AZ 85281

TOLERANCES  
0 PLC: ±1 SURFACE 3/2/  
1 PLC: ±.25 TEXTURE: √  
2 PLC: ±.127  
3 PLC: ±.025  
4 PLC: ±.013  
ANGLE: ±1/2°

FINISH NONE  
DRAWN BY B. BIDWELL  
DATE 11/12/08  
CHECKED BY K. STOTZ

NAME  
MOUNT, RIGHT-ANGLE  
LED TO LIGHT PIPE  
SIZE SCALE 2:1  
PART NUMBER 51 0332  
REV C

REMOVE BURRS AND SHARP EDGES  
FLATNESS .005 MM PER MM  
ALL DIMENSIONS AFTER FINISH

DATE 09/17/09

DO NOT SCALE DRAWING  
SHEET 1 OF 1