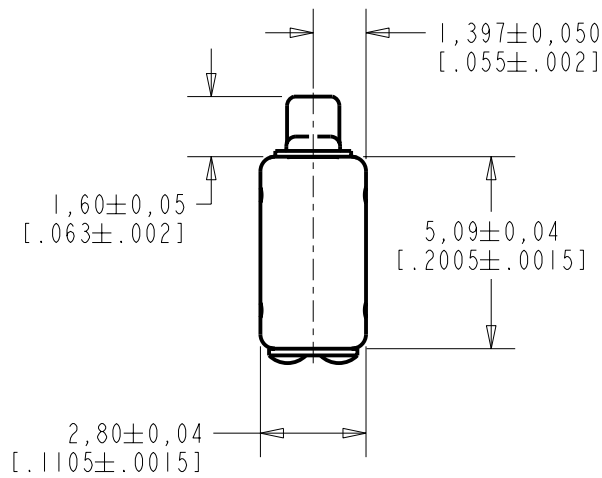
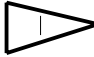
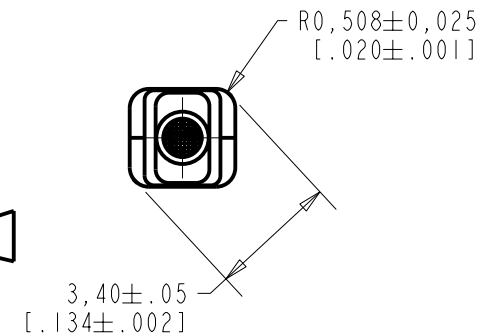
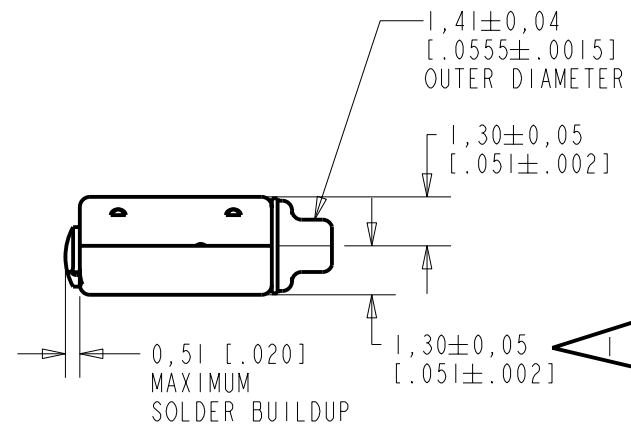
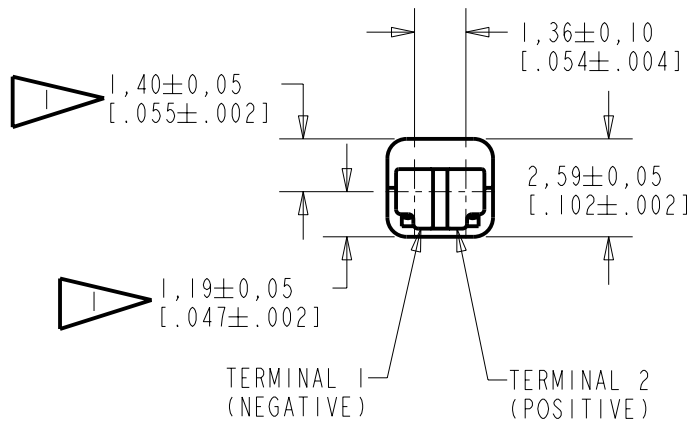


FH-23469-000
SHT 1.1



NOTES:

 LOCATED FROM TWO SURFACES FOR CUSTOMER CONVENIENCE. ONLY APPLICABLE FROM ONE SURFACE, NOT TO BE USED TOGETHER. HORIZONTAL LOCATION FOR TERMINAL CENTERED TO $\pm 0,17$ [.007].

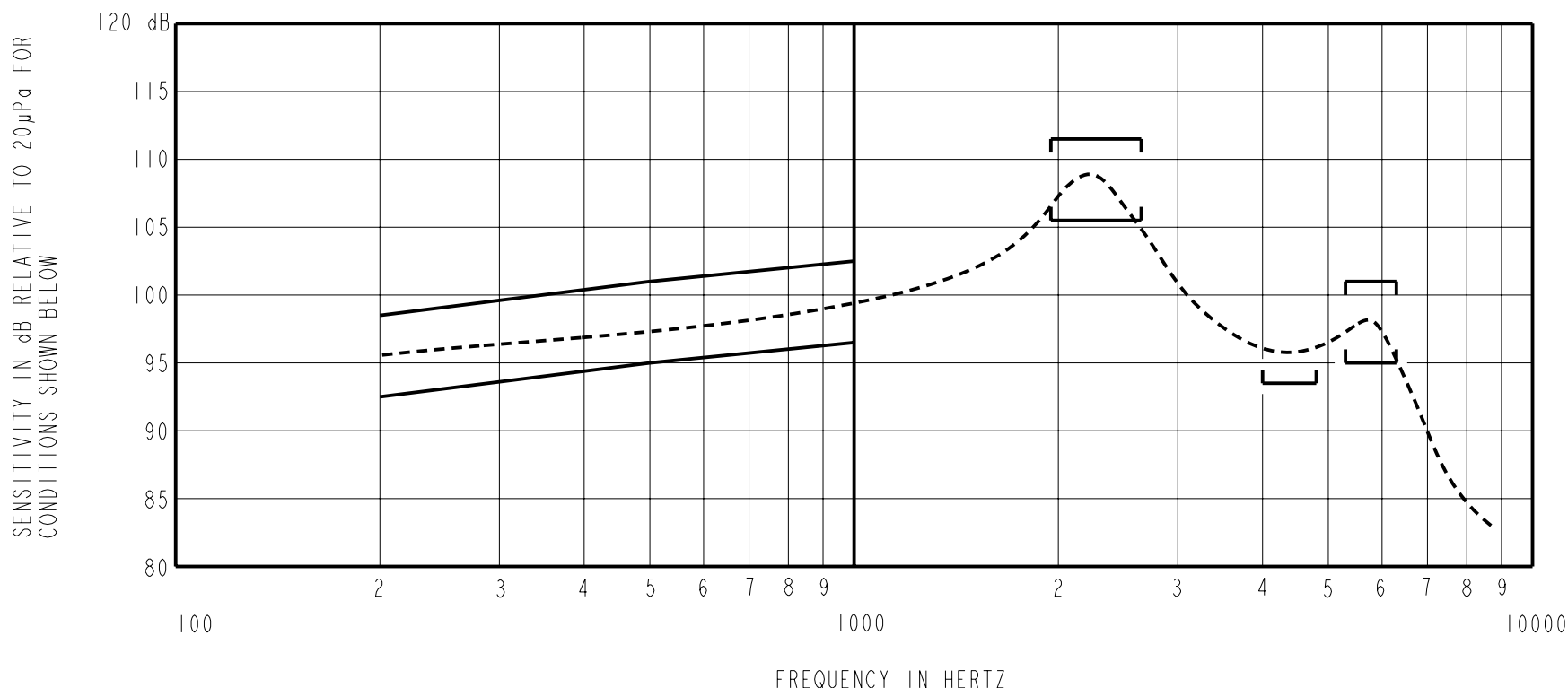


NOMINAL WEIGHT
.18 GRAMS DIMENSIONS IN MILLIMETERS [INCHES]

KNOWLES ELECTRONICS
ITASCA, ILLINOIS U.S.A.

| Revision | C.O. # | Implementation Date | RELEASE LEVEL | REVISION |
|----------|-----------|---------------------|---------------|----------|
| A | CI0103105 | 9-15-05 | Released | A |

| | | | |
|----------------------|--|---------|---------|
| SCALE: 5:1 | | DR. BY | DATE |
| DO NOT SCALE DRAWING | | MMM | 9-15-05 |
| TITLE: RECEIVER | | CK. BY | DATE |
| OUTLINE DRAWING | | GJP | 9-20-05 |
| FH-23469-000 | | APP. BY | DATE |
| SHT 1.1 | | GJP | 9-20-05 |



NOTES:

1. MEASUREMENTS MADE USING 10mm (.394") OF 1mm (.039") ID TUBE CONNECTED TO A SIMULATED ANSI S3.3-1960 TYPE HA-3 COUPLER. (T3420 AND B&K 080138)

2. SENSITIVITY

| FREQUENCY | MIN. | MAX. |
|-----------|-------|-------|
| 200 | 92.5 | 98.5 |
| 500 | 95.0 | 101.0 |
| 1000 | 96.5 | 102.5 |
| 1950-2650 | 105.5 | 111.5 |
| 4000-4800 | 93.5 | --- |
| 5300-6300 | 95.0 | 101.0 |

- 3. RESPONSE, IMPEDANCE, AND DISTORTION MEASUREMENTS MADE USING THE ELECTRICAL TEST CONDITIONS SHOWN BELOW.
- 4. ELECTRICAL SOURCE IMPEDANCE MUST BE GREATER THAN 20 TIMES 1kHz IMPEDANCE FOR TEST CONDITIONS SHOWN BELOW.
- 5. INDIVIDUAL SPECIFICATIONS.

| PORT LOCATION | IMPEDANCE OHMS ±15% | | DCR @20°C OHMS ±10% | DISTORTION | | ELECTRICAL TEST CONDITIONS | |
|---------------|---------------------|-------|---------------------|------------|---------|----------------------------|-------|
| | 1KHz | 500Hz | | MAX. % | FREQ Hz | AC mA RMS | DC mA |
| 12S | 515 | 340 | 245 | 5 | 750 | 0.80 | 0.00 |

| Revision | C.O. # | Implementation Date | RELEASE LEVEL | REVISION |
|----------|-----------|---------------------|---------------|----------|
| A | C10103105 | 9-15-05 | Released | A |

KNOWLES ELECTRONICS
ITASCA, ILLINOIS U.S.A.

WHEN TEST LIMITS ARE USED TO ESTABLISH INCOMING INSPECTION ACCEPTANCE/REJECTION CRITERIA, CORRELATION OF TEST EQUIPMENT WITH KNOWLES IS ALSO REQUIRED FOR ELIMINATION OF EQUIPMENT AND TEST METHOD VARIATION

TITLE: **RECEIVER**
PERFORMANCE SPECIFICATION

FH-23469-000
SHT 2.1

| | |
|---------|---------|
| DR. BY | DATE |
| MMM | 9-15-05 |
| CK. BY | DATE |
| GJP | 9-20-05 |
| APP. BY | DATE |
| GJP | 9-20-05 |