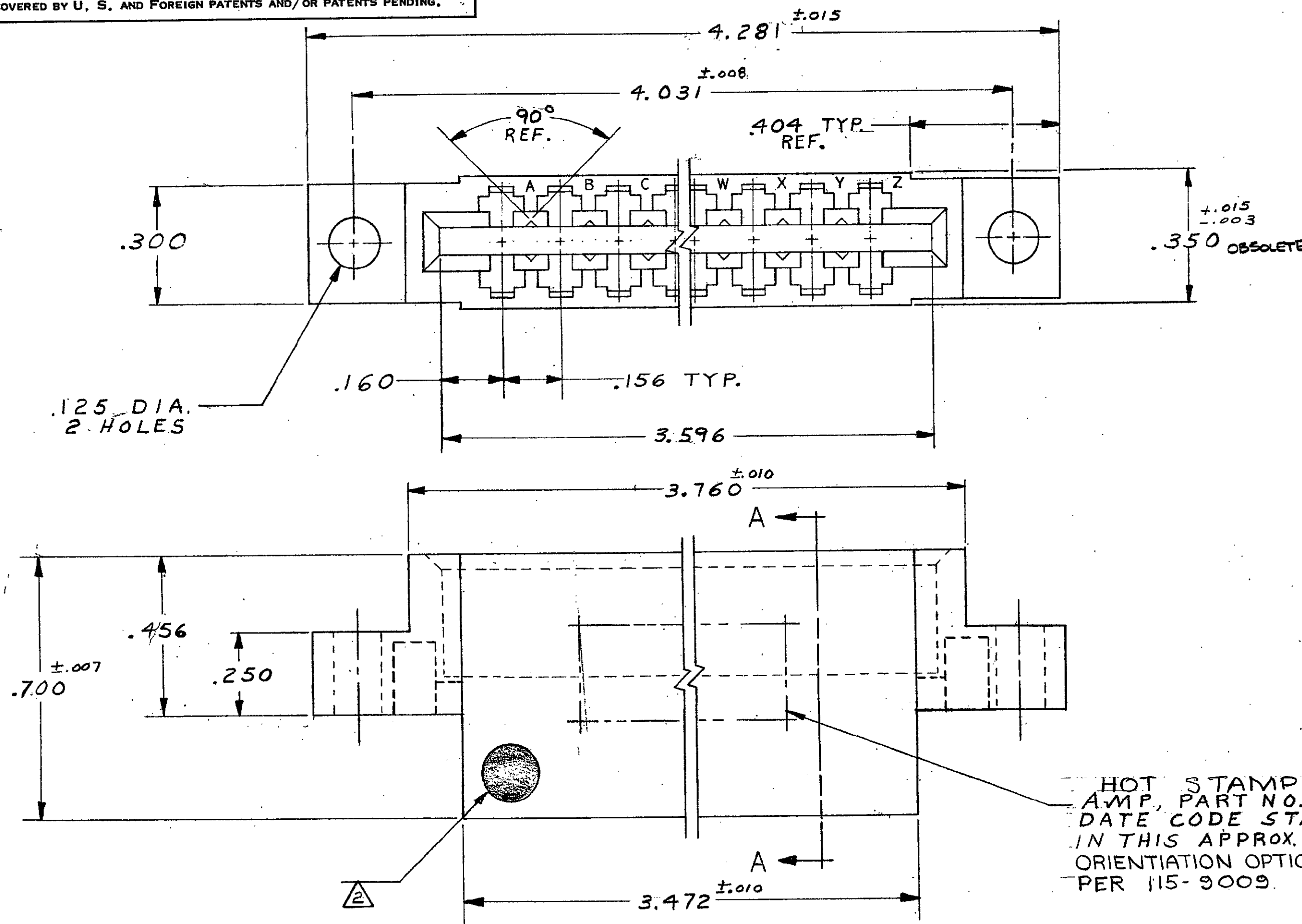
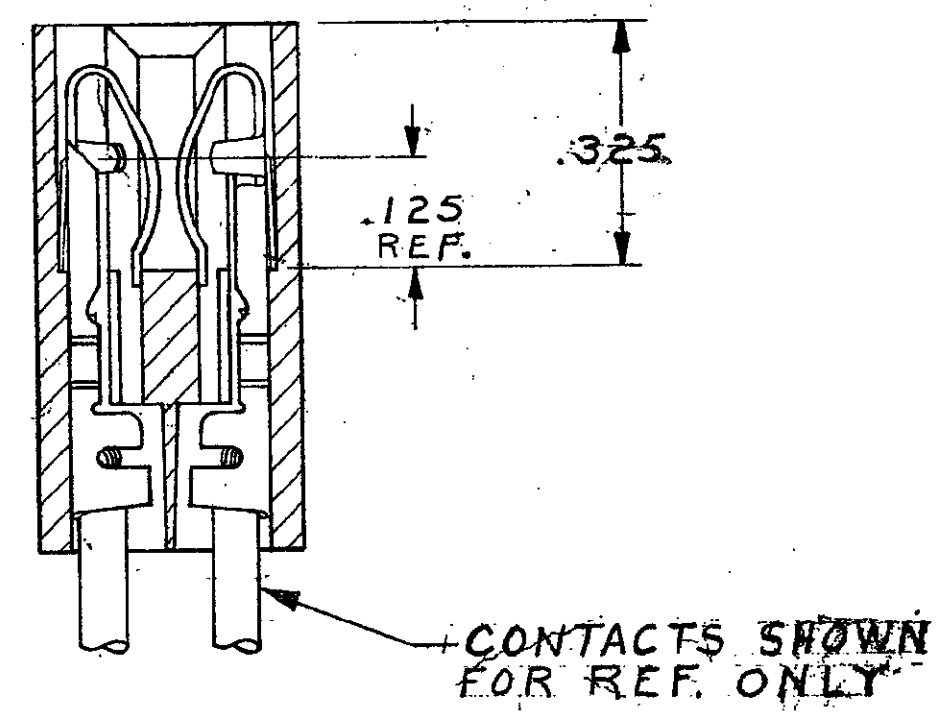


© COPYRIGHT 1970 BY AMP INCORPORATED, HARRISBURG, PA.  
 ALL INTERNATIONAL RIGHTS RESERVED. AMP INCORPORATED PRODUCTS  
 COVERED BY U. S. AND FOREIGN PATENTS AND/OR PATENTS PENDING.

REVISIONS					
P	F	ZONE	DESCRIPTION	DATE	APPROVED
		F	REV PER 0010-0337-95	10-17-95	P.B./
		G	REV PER EC 0320-349-97	25 MAR 97	NS

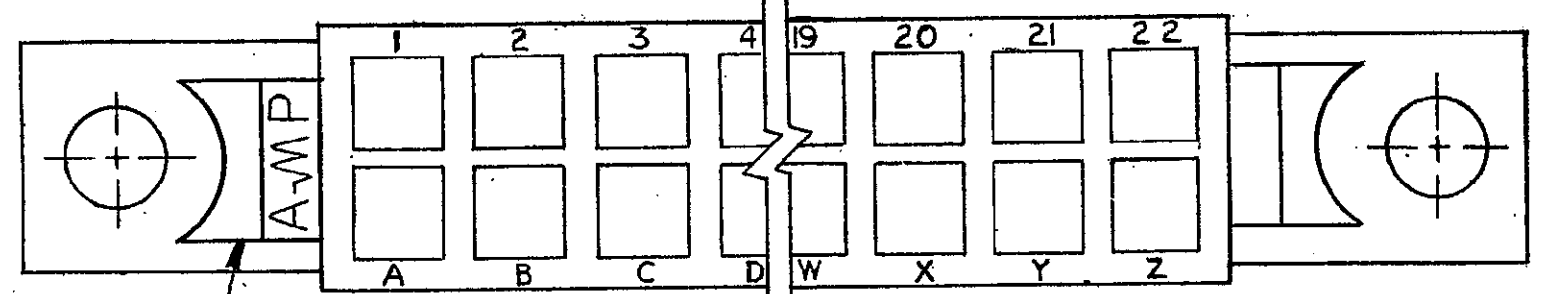


- 583617-1 I. AS SHOWN
- 583617-3 I. SAME AS -1 EXCEPT:  
.156 DIA. MTG. HOLES
- 583617-6 I. SAME AS -1 EXCEPT:  
WITH SPECIAL MARKING  
⚠
- 583617-7 I. SAME AS -3 EXCEPT:  
.180 DIA. MTG. HOLES



HOT STAMP  
 AMP, PART NO. &  
 DATE CODE STAMPED  
 IN THIS APPROX. AREA,  
 ORIENTATION OPTIONAL.  
 PER 115-9009.

SECT. A-A



- ⚠ .055-.070 P.C. BOARD THICKNESS.
- ⚠ .250 ±.015 DIA. WHITE DOT INK STAMPED IN LOWER  
LEFT HAND CORNER ON EITHER SIDE OF HOUSING
- ⚠ VOID CORING PERMISSIBLE AT AMP'S OPTION REF ONLY

UNLESS OTHERWISE SPECIFIED DIMENSIONS ARE IN INCHES. TOLERANCES ON: DECIMALS ±.005 ANGLES ±1°		CONTRACT NO DR <i>A.M. SHARPE</i> 11-26-80 CHK <i>D. Bushey</i> 12-2-80 APPD <i>S. S. Shym</i> 12-2-80 APPD <i>S. R. Riecke</i> 12-2-80 DSGN APPD OTHER APPD	PART NO <b>AMP</b> AMP INCORPORATED Harrisburg, Pa.	
MATERIAL GLASS FILLED NYLON OR POLYESTER COLOR: BLACK	FINISH	NAME HOUSING, AMP LEAF, 22 POS DUAL	SIZE <b>C</b>	CODE IDENT NO <b>00779</b>
		DRAWING NO <b>583617</b>	SCALE 4:1	SHEET 1 OF 1