

**Product number CA11181_BROOKE-S**

Family	Brooke	FWHM	24 degrees
Type	RefAssy	Efficiency	94 %
LED	BXRA ES Rectangle	cd/lm	-
Color	Metal	Gerber File	Available
Diameter	45 mm		
Height	20.1 mm		
Style	Round		
Optic Material	-		
Holder Material	-		
Fastening	["tape"]		
Status	Production ready		

**Product number CA11182_BROOKE-M**

Family	Brooke	FWHM	32 degrees
Type	RefAssy	Efficiency	93 %
LED	BXRA ES Rectangle	cd/lm	-
Color	Metal	Gerber File	Available
Diameter	45 mm		
Height	21.1 mm		
Style	Round		
Optic Material	-		
Holder Material	-		
Fastening	["tape"]		
Status	Production ready		

**Product number CA11183_BROOKE-W**

Family	Brooke	FWHM	50 degrees
Type	RefAssy	Efficiency	92 %
LED	BXRA ES Rectangle	cd/lm	-
Color	Metal	Gerber File	Available
Diameter	45 mm		
Height	21.1 mm		
Style	Round		
Optic Material	-		
Holder Material	-		
Fastening	["tape"]		
Status	Production ready		

**Product number CA14591_BROOKE-XW**

Family	Brooke	FWHM	86 degrees
Type	RefAssy	Efficiency	94 %
LED	BXRA ES Rectangle	cd/lm	0.530
Color	White	Gerber File	Available
Diameter	45 mm		
Height	21.1 mm		
Style	Round		
Optic Material	-		
Holder Material	-		
Fastening	""		
Status	Production ready		



PRODUCT DATASHEET

Brooke series

last update 16/1/2017

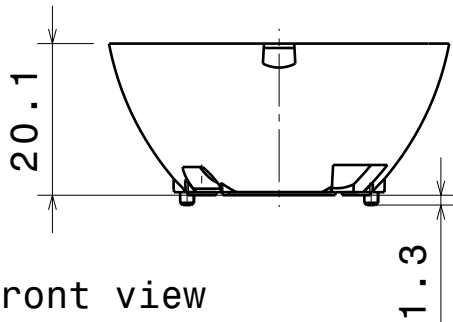
NOTE: The typical divergence will be changed by different color, chip size and chip position tolerance. The typical total divergence is the full angle measured where the luminous intensity is half of the peak value.

D

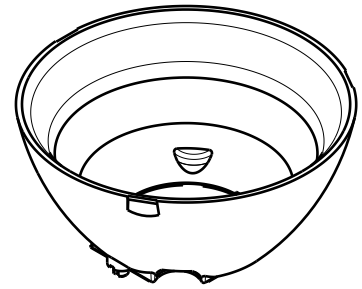
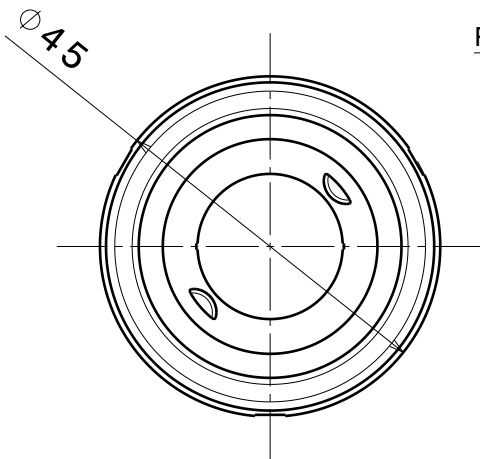
C

B

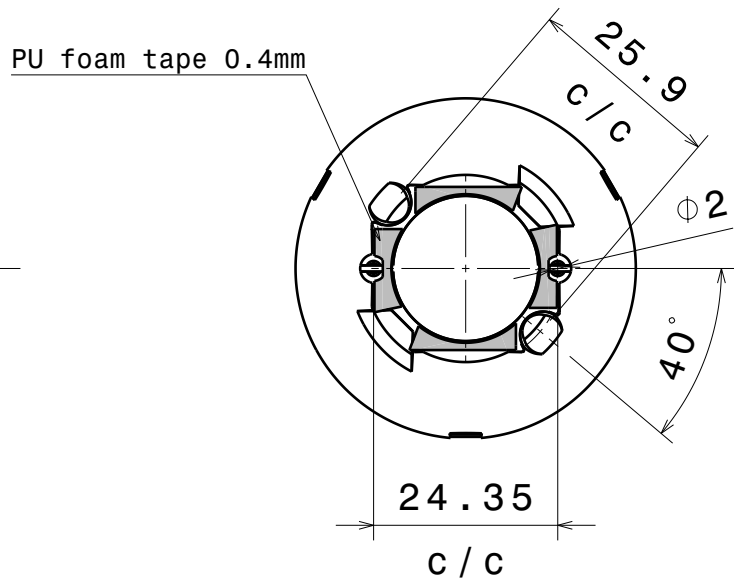
A



Front view

Isometric view
Scale: 1:1

Top view



Bottom view

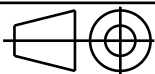
INDEX	PART NO	DESCRIPTION	MATERIAL	COLOUR
1	-	BROOKE reflector	PC	metal

Tolerances if not otherwise shown
According to DIN ISO 2768-1
Linear measures:
Up to 30mm class M, otherwise class C.
According to DIN ISO 2768-2
Form and position: class L

LEDiL

Ledil Oy
Salorankatu 10
FIN 24240 SALO
Finland

THIRD ANGLE PROJECTION:



DRAWING TITLE

BROOKE-tape series

This drawing is the property
of LEDiL Oy. It may not be
reproduced, copied or
communicated without a written
agreement with LEDiL Oy.

SIZE PART NUMBER

A4

-

SCALE 1:1 WEIGHT

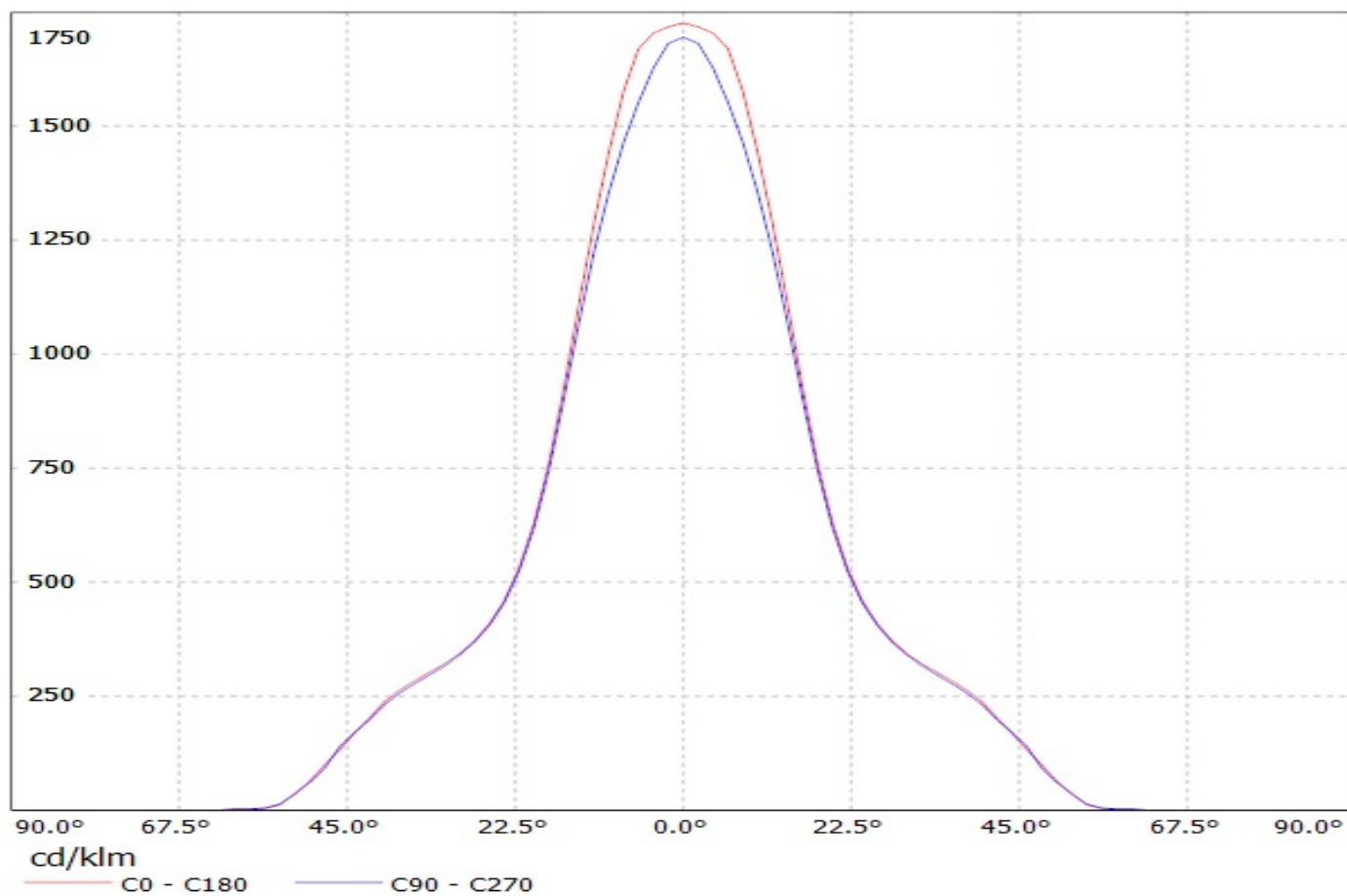
-

SHEET 1/1

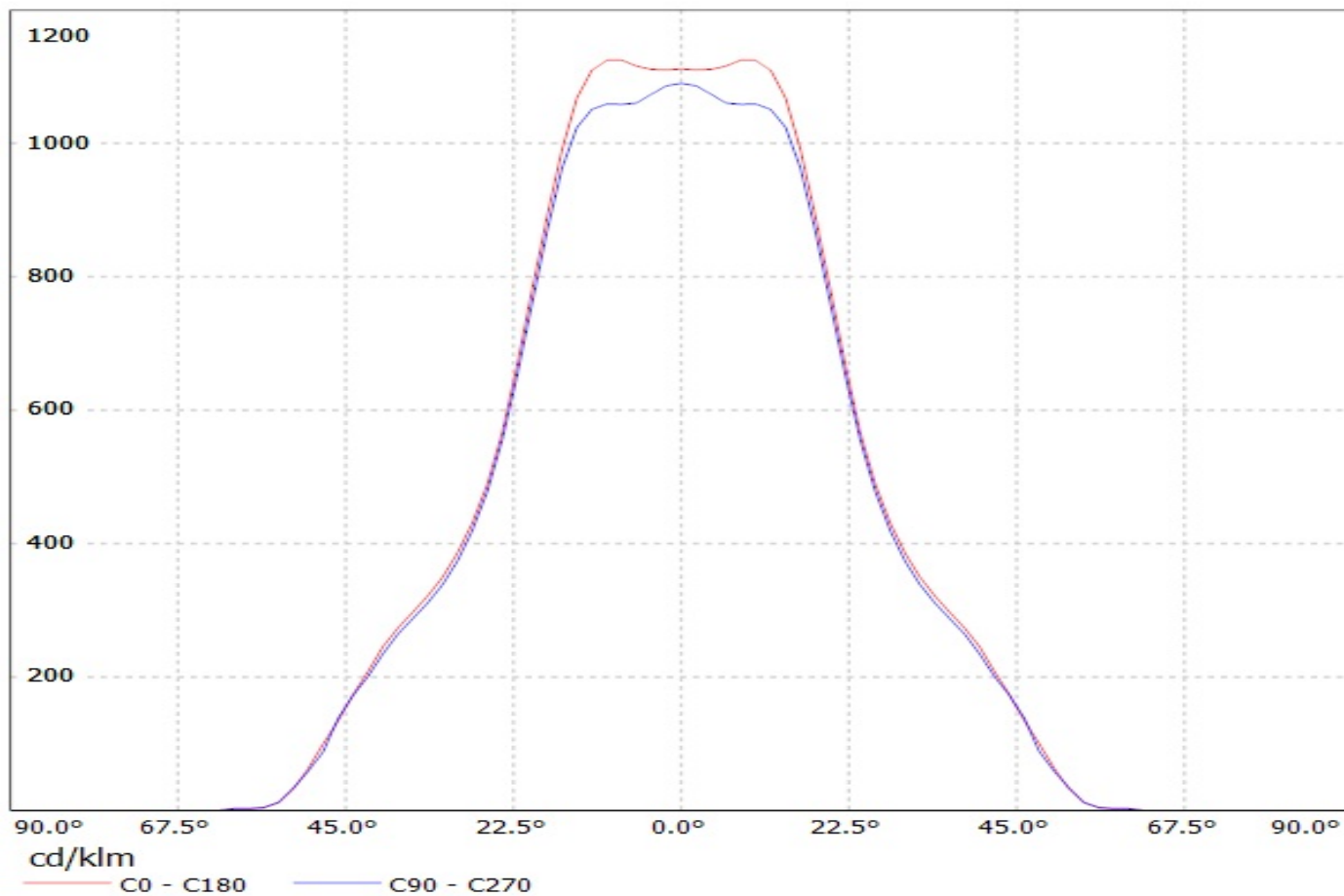
D

A

Luminaire: Ledil Oy CA11182_Brooke-M CA11182_Brooke-M
Lamps: 1 x Bridgelux BXRA-C0800

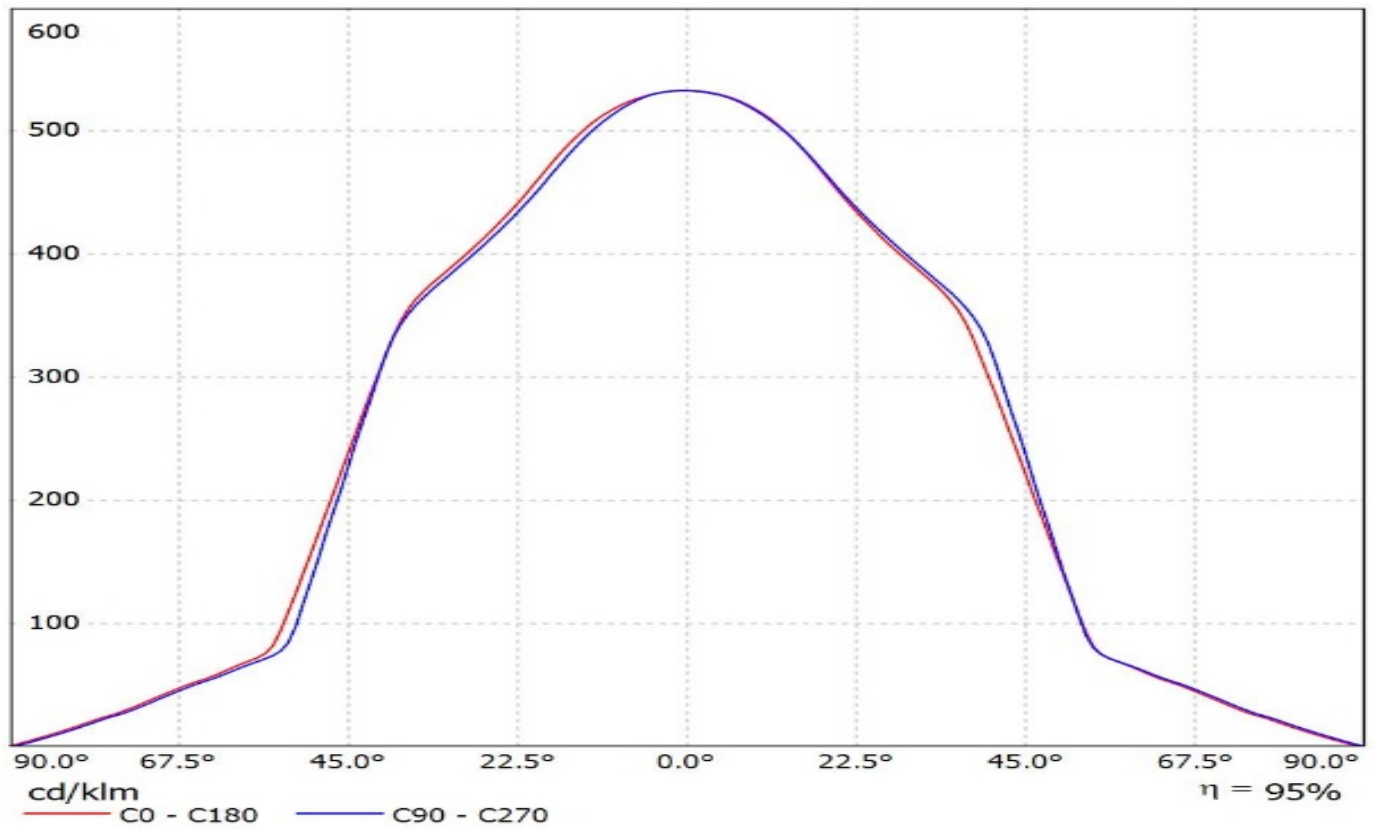


Luminaire: Ledil Oy CA11183_Brooke-W CA11183_Brooke-W
Lamps: 1 x Bridgelux BXRA-C0800

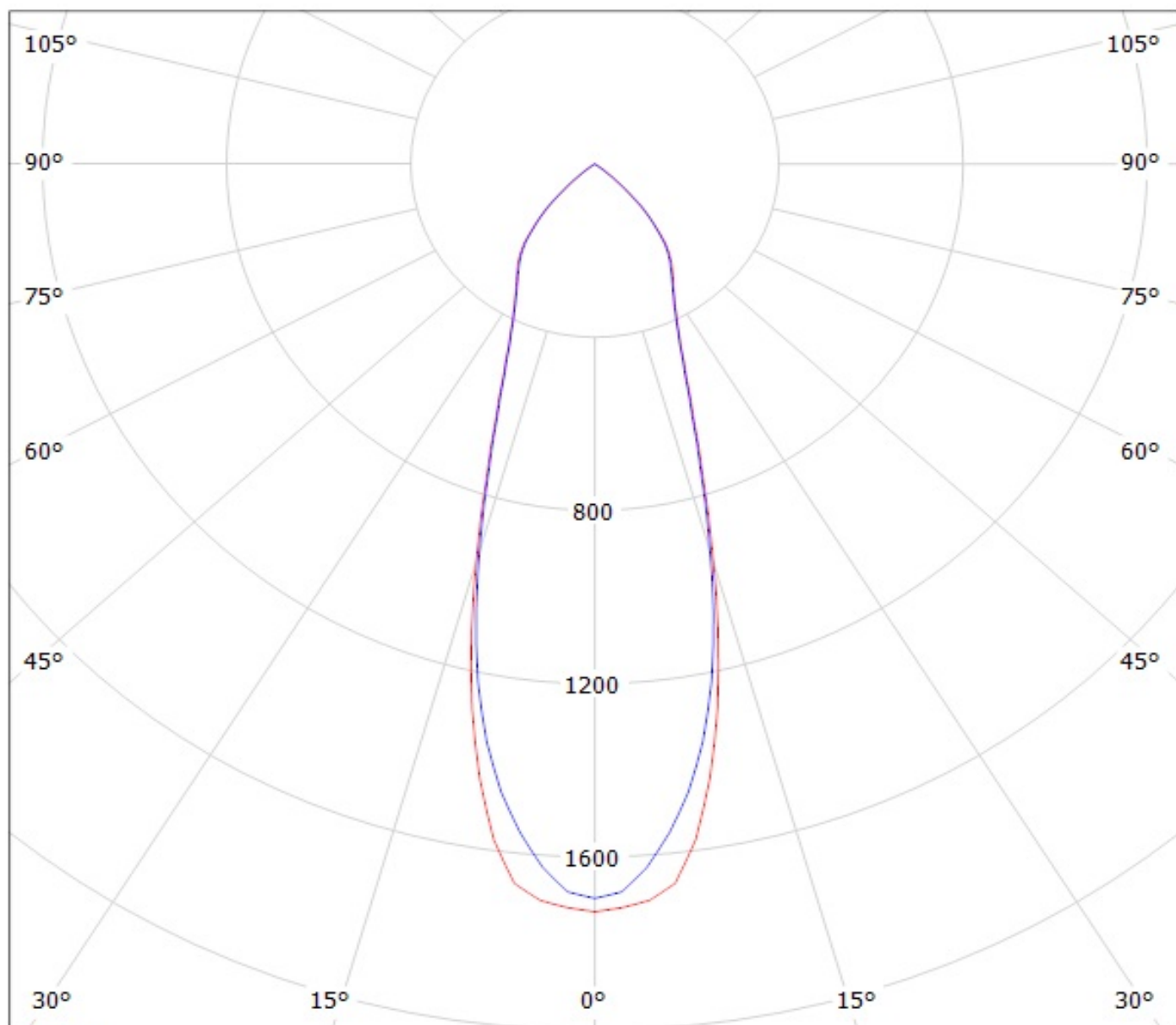


Ledil CA14591_BROOKE-XW_(BXRA_ES_Rectangle) / LDC (Linear)

Luminaire: Ledil CA14591_BROOKE-XW_(BXRA_ES_Rectangle)
Lamps: 1 x Bridgelux_BXRA_ES_Rectangle_(BXRA-330E2000-B-00)
_827.946lm@250mA_P=8.26425W_I=0.250A



Luminaire: Ledil Oy CA11182_Brooke-M CA11182_Brooke-M
Lamps: 1 x Bridgelux BXRA-C0800

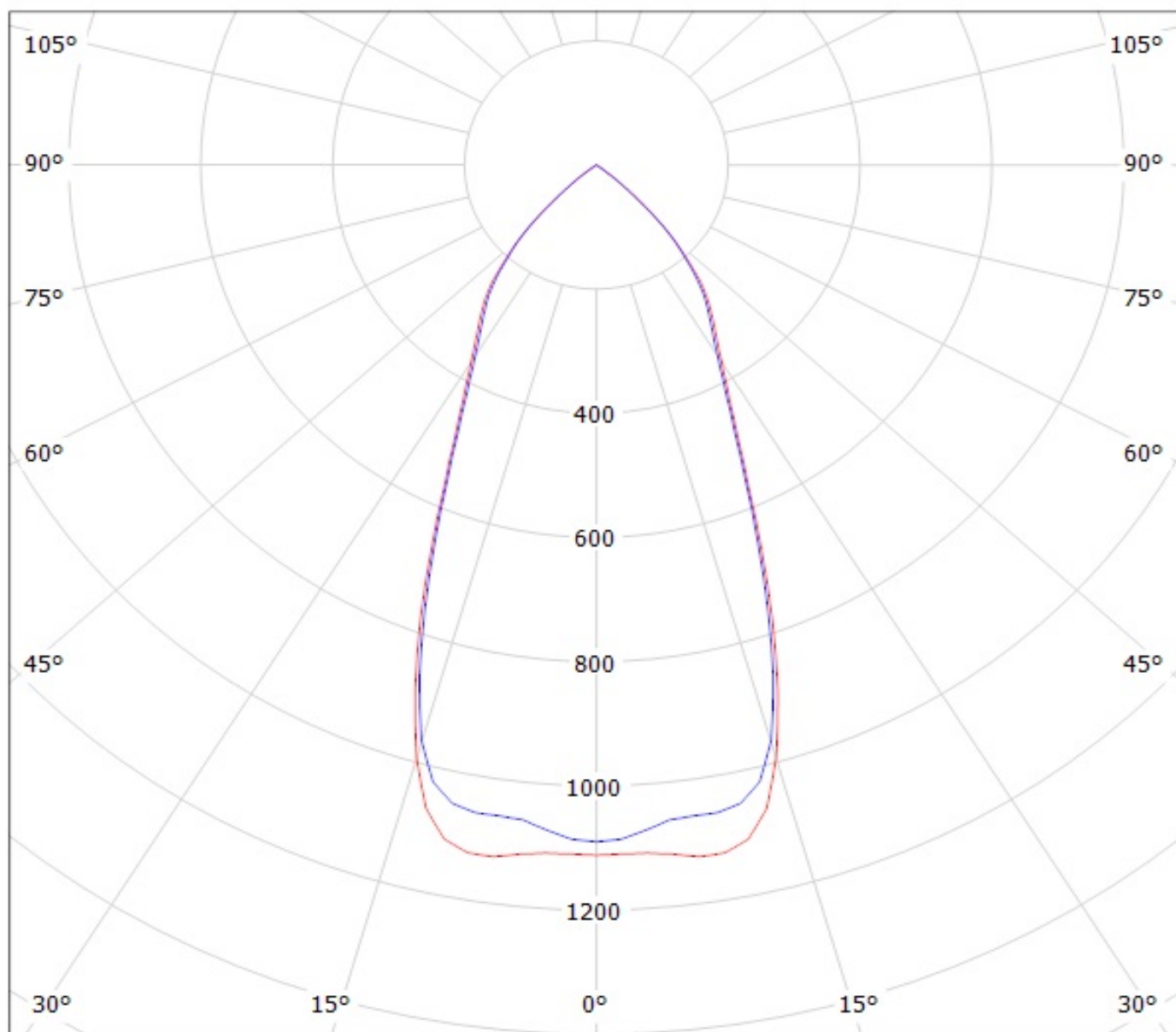


cd/klm

— C0 - C180

— C90 - C270

Luminaire: Ledil Oy CA11183_Brooke-W CA11183_Brooke-W
Lamps: 1 x Bridgelux BXRA-C0800



cd/klm

— C0 - C180

— C90 - C270

Ledil CA14591_BROOKE-XW_(BXRA_ES_Rectangle) / LDC (Polar)

Luminaire: Ledil CA14591_BROOKE-XW_(BXRA_ES_Rectangle)
Lamps: 1 x Bridgelux_BXRA_ES_Rectangle_(BXRA-330E2000-B-00)
_827.946lm@250mA_P=8.26425W_I=0.250A

