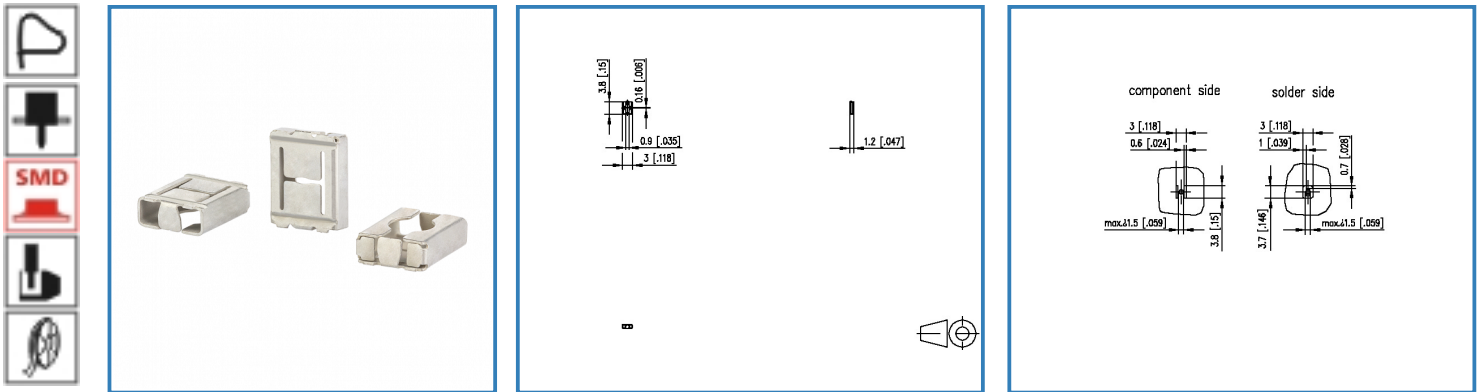


Data Sheet

SM02V01VXNN01G1 15-inch Reel solder pad/component side

Illustration



see enlarged drawing at the end of the document

Product specification

- spring clamp terminal block, SMT solderable
- direction of connection vertical 0°
- Tape & Reel packaging

Data Sheet

SM02V01VXNN01G1 15-inch Reel solder pad/component side

P/N

ASM02V0108-1G16

2018/03/19

Technical Data

General Data

min. number of poles	1
max. number of poles	1
protection category	IP 00
Min. insul. strip length	4 mm

Connection data

Rated wiring solid wire	0.25 - 0.5 mm ² / AWG 24 - 20
-------------------------	--

Approvals

0.25 - 0.5 mm ²	AWG 24 - 20 / 4 A
----------------------------	-------------------

Material

contact material	CuBe
contact surface	Ni + Sn

Climatic properties

upper limit temperature	150 °C
lower limit temperature	-40 °C

General

solderability	Acc. to IPC/JEDEC J-STD-020D-MSL 1
Tolerance	ISO 2768 -mH

Safety instructions

Components have to be fixed in a way to prevent any transmission of forces on to the contact. Components with more than one pin are recommended.

General information

Technical data were determined with round copper wires.

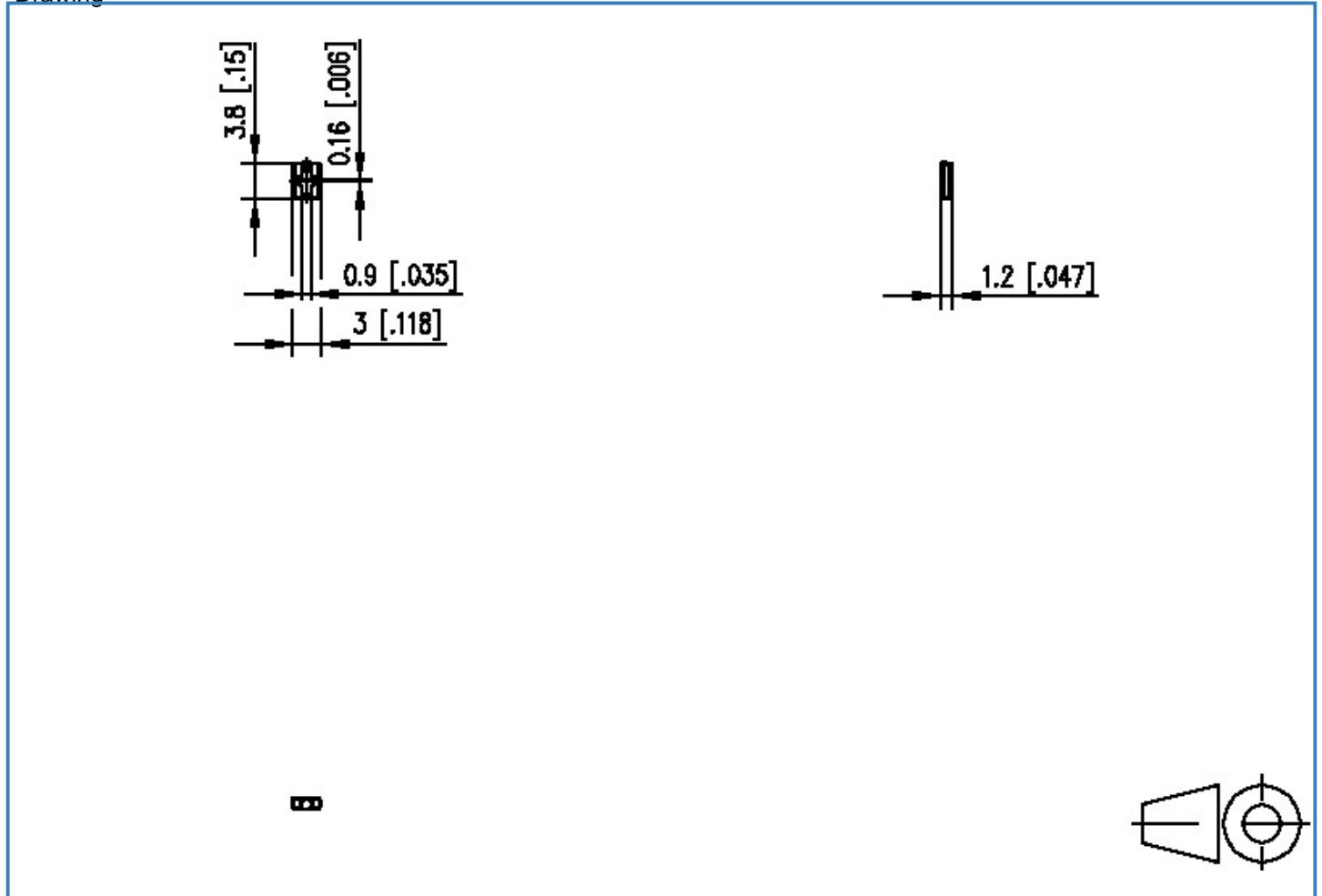


Data Sheet

SM02V01VXNN01G1 15-inch Reel solder pad/component side

Illustration

Drawing



© 2017 METZ CONNECT - Technische Änderungen vorbehalten! Subject to modifications! Sous réserve de modifications techniques!



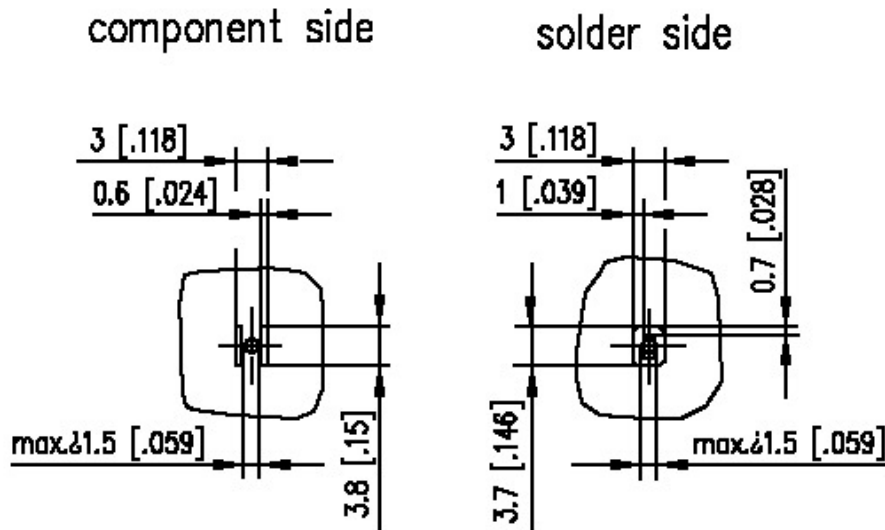
Data Sheet

SM02V01VXNN01G1 15-inch Reel solder pad/component side

ASM02V0108-1G16

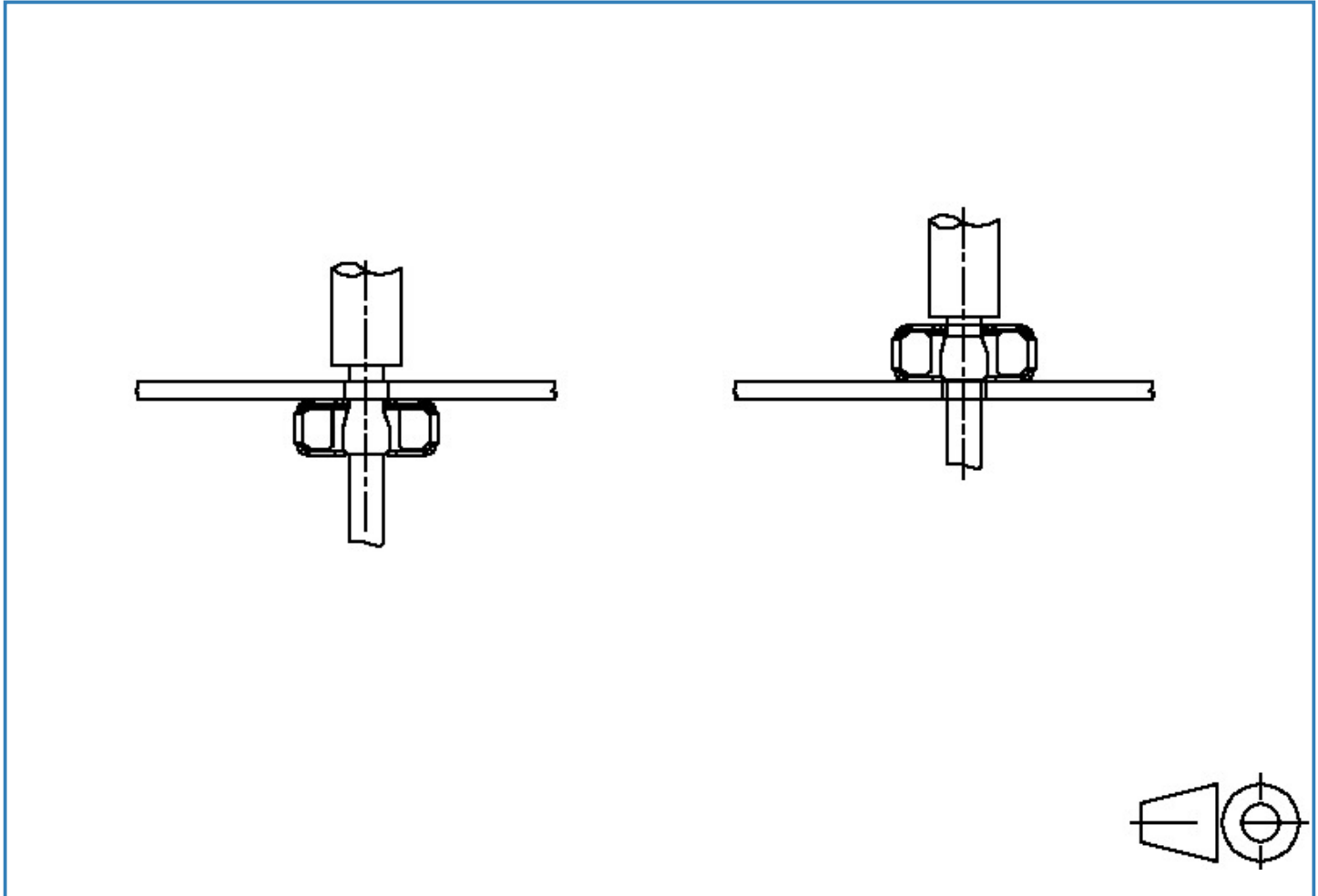
2018/03/19

PCB Layout



Data Sheet

SM02V01VXNN01G1 15-inch Reel solder pad/component side



© 2017 METZ CONNECT - Technische Änderungen vorbehalten! Subject to modifications! Sous réserve de modifications techniques!

